



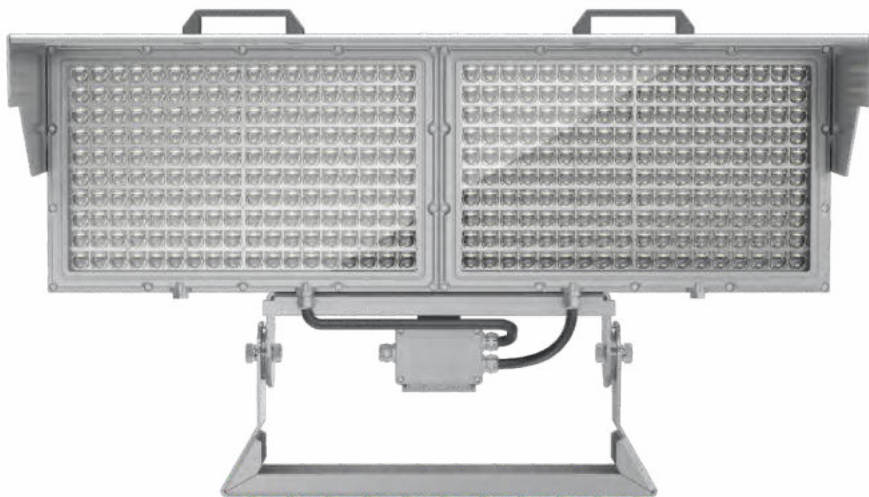
## Better Lighting Solution For Sport Field

Professional high mast light is required more and more for applications of sport field as it influences players' performance and contributes to the proper arbitrage. Spectators should enjoy the match safely and without inconvenience caused by glare effects or an uneven light.

Our optical system has been designed to ensure high power but minimize glare. And visor system is used to avoid back light and spill light.

## Best Light For Stadium

Low Glare  
 Low back light, low spill light  
 Asymmetric optics  
 Europe Design Patent



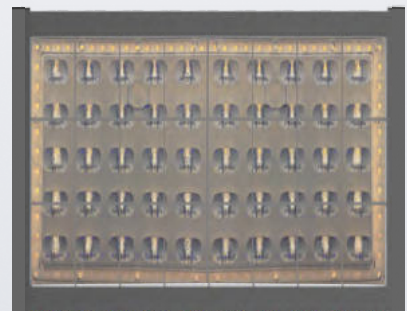
Tempered Glass  
 PMMA lens  
 Pure aluminum  
 Best heat dissipation



**After 5 years**



**After 2 years**



**PMMA lens+Tempered Glass**  
**Best UV resistane**

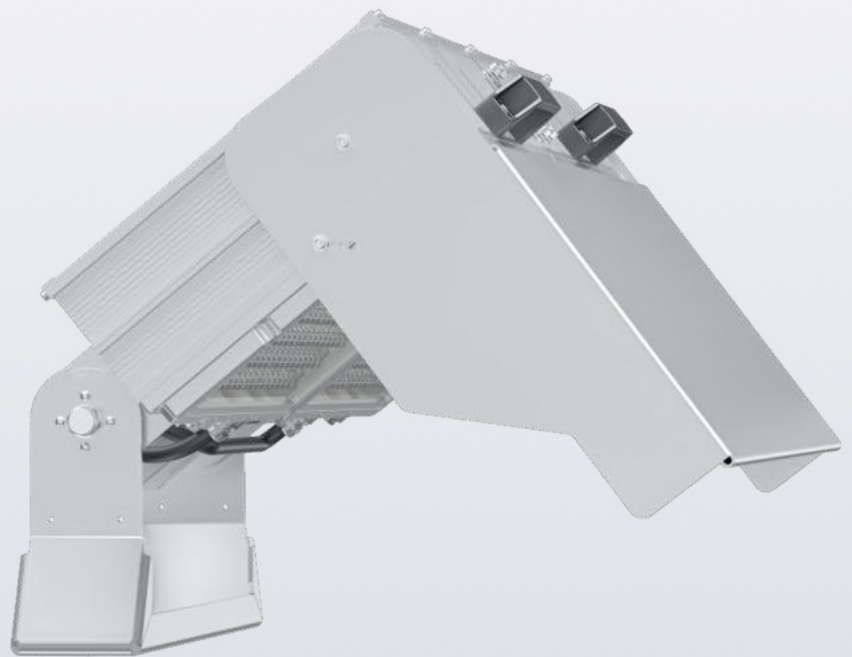
**PC Lens, without glass**  
**Low UV resistance**



**160LM/W**

Driver: Inventronic  
LED: Cree

Precise Angle Rotation



**Laser Sight**

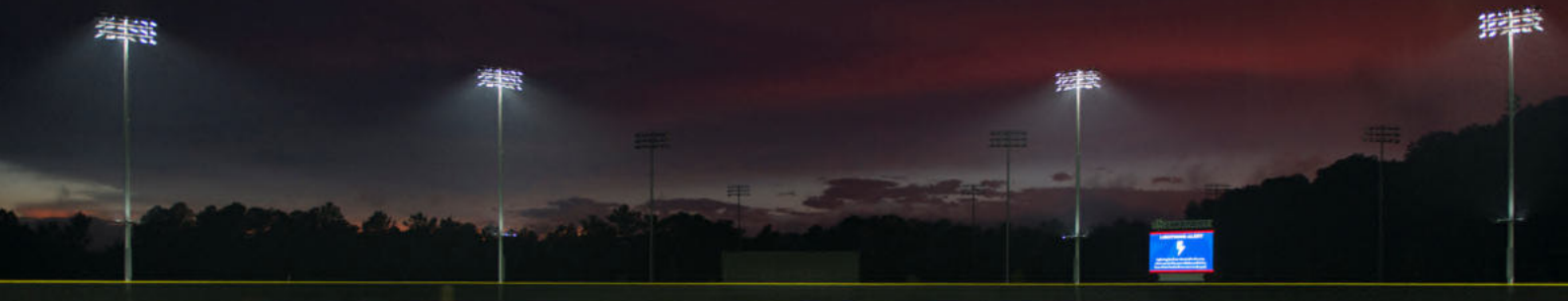
Easily adjust the direction of illumination to achieve maximum lux and uniformity



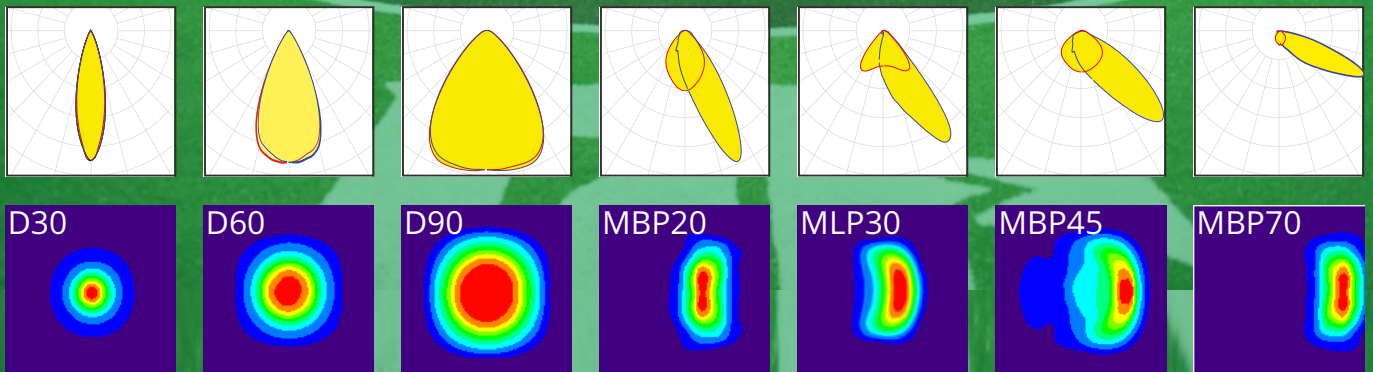
### Rotatable Visor

Asymmetric polarized optics and visor work together to minimize glare, back light, and spill light.

## Optics



Special designed optics are used for different sport field and different standard. They will not only improve the lux and uniformity, but also minimize glare light.





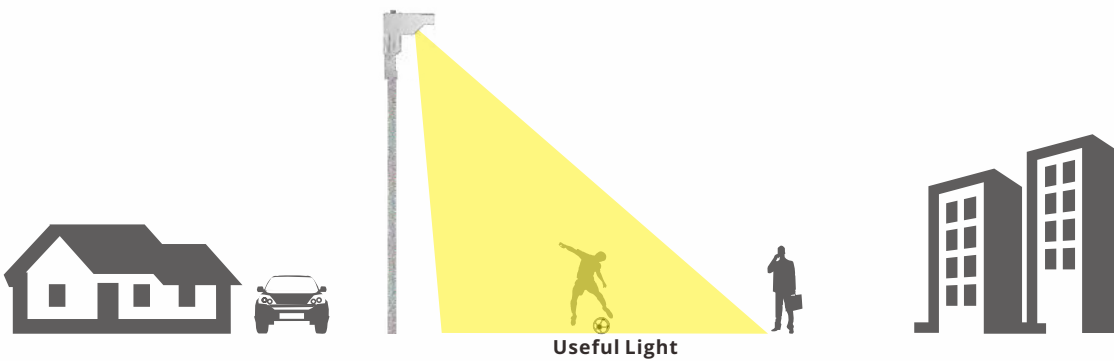
**More glare light  
More pollution**



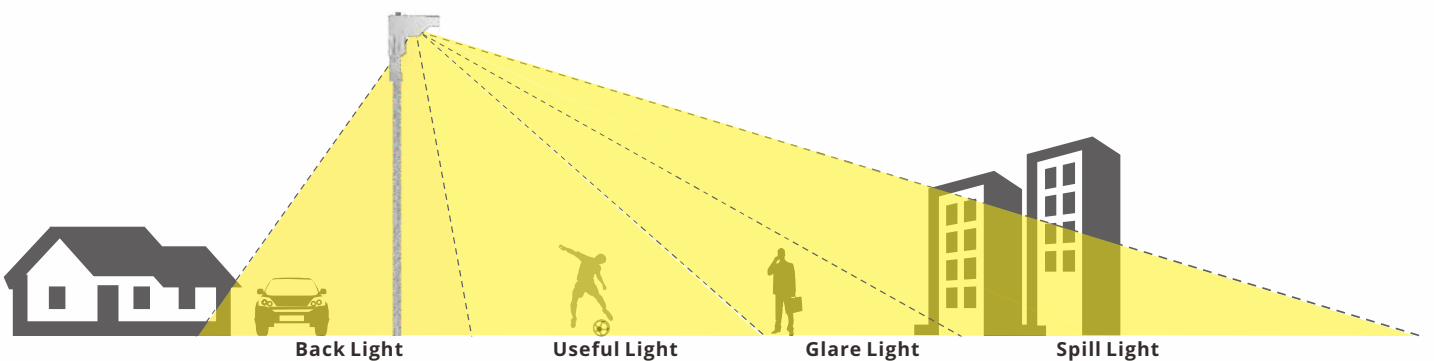
**Less glare light  
Less pollution**

Won't **disturb** neighbors when enjoying sport

### Sniper Series



### Others



IP66 Waterproof  
10/20kv Surge Protection  
AkzoNobel coating, best corrosion proof

### TVS protection

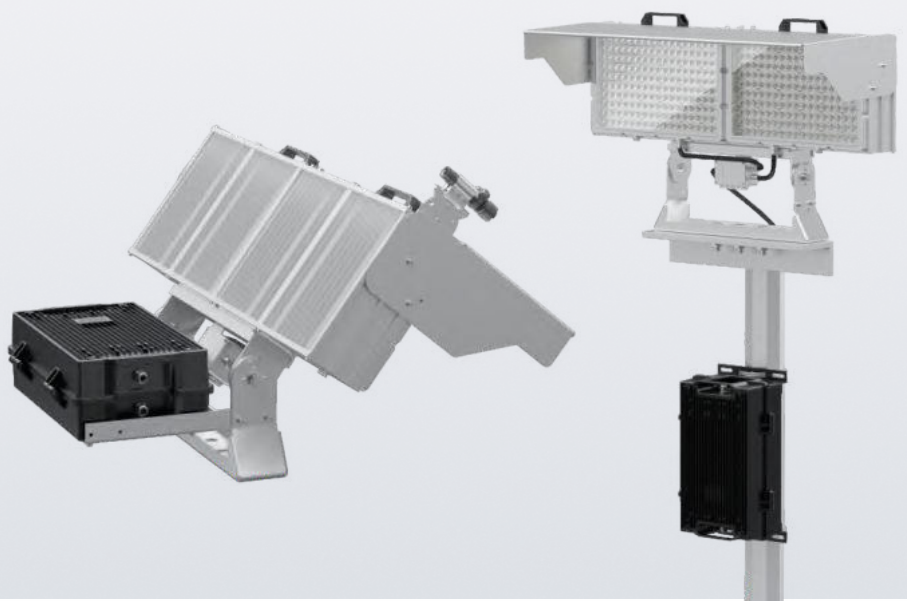
Transient Voltage Suppressor(TVS) with 1500w peak pulse capability at 10/1000us waveform is used to protecting LEDs from voltage transient induced by lightning.



## HD TV broadcasting

The LED source has a high TLCI index and a chromatic render index up to 90. This provides the camera with the real color of the scene and flicker-free shooting.

Driver box can be fixed on bracket or on pole in order to lower the weight of whole fixture and easy maintenance





CE RoHS compliant

LM 79

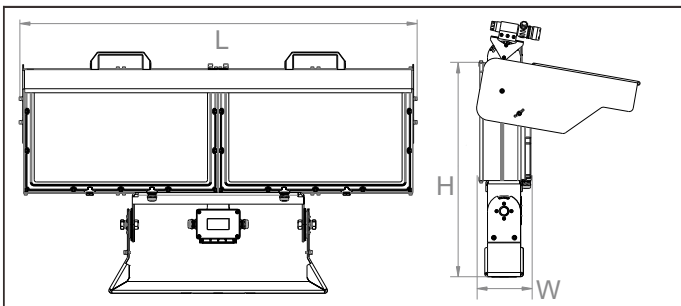
LM 80

TM 21



### Features

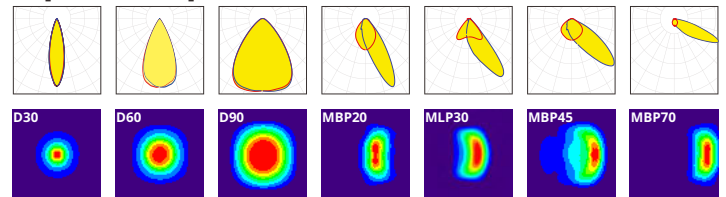
- Housing: Pure Aluminum
- Thermal Conductivity: 226 W/m·K
- Led: Cree 5050
- CRI: Ra>70
- SDCM: <6
- Power Factor: >0.95
- THD: <15
- Driver: Inventronic
- Driver Efficiency: >93%
- Protection: OTP, OCP, OVP, SCP
- Surge Protection: 10KV
- Waterproof: IP66
- Impact Test: IK08
- Electrical: 100-277V, 50/60Hz
- Operating Temperature: -40~60°C
- TM21: L90B10>50,000H
- Lifetime: 50,000H



### Functions

ZigBee · DMX · DALI · 0/1~10V

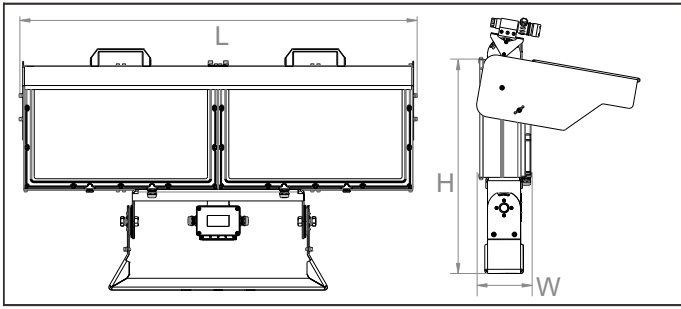
### Optical options:



Model	Watt	Voltage	Lumen	CRI	IP	Dimension
HM500SE1G-CI	500W	100~277V	80000LM	>70	IP66	470*524*127
HM600SE1G-CI	600W	100~277V	96000LM	>70	IP66	470*524*127
HM1K0SE2G-CI	1000W	220~240V	160000LM	>70	IP66	920*558*127
HM1K2SE2G-CI	1200W	220~240V	192000LM	>70	IP66	920*558*127

Note: Asymmetric optics are 150lm/w

# Packing



## Luminaire

Model	Dimension (mm)	Outer Carton(mm)			QTY / Outer CTN	Luminaire	
		L	W	H		NW(kg)	GW(kg)
HM500SE1G-CI	470*520*127	560	235	615	1	14.80	16.30
HM600SE1G-CI	470*520*127	560	235	615	1	14.80	16.30
HM1K0SE2G-CI	920*558*127	1010	235	655	1	27.50	29.60
HM1K2SE2G-CI	920*558*127	1010	235	655	1	27.50	29.60

## Driver

Model	Dimension (mm)	Outer Carton(mm)			QTY / Outer CTN	Driver	
		L	W	H		NW(kg)	GW(kg)
600W Driver Box	410*280*136.8	480	300	200	1	7.10	8.70
1200W Driver Box	410*280*136.8	480	300	200	1	7.70	9.30